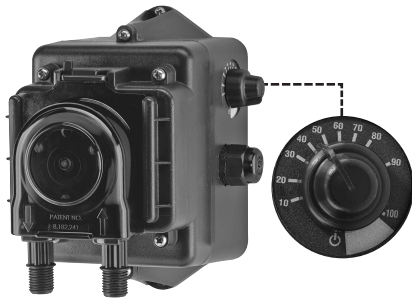
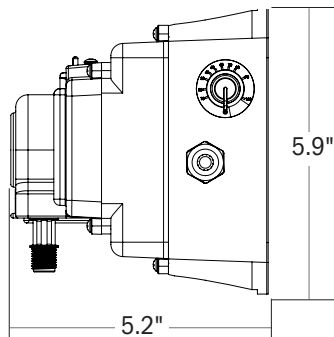
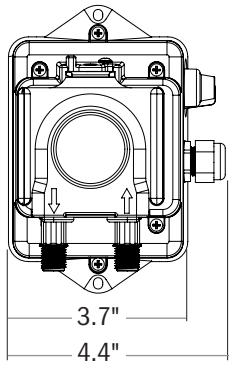
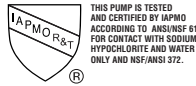


ECON LD SERIES SPECIFICATIONS

STENNER PUMPS®



SHIPPING WEIGHT 4 lbs (1.6 kg)



FEATURES

- 3-point roller design assists in anti-siphon protection
- Pump head requires no valves, allows for easy maintenance
- Self-priming against maximum working pressure, foot valve not required
- Pump does not lose prime or vapor lock
- Pumps off-gassing solutions and can run dry
- Output volume is not affected by back pressure
- Easy to change pump tube; lubrication is not required
- All pump accessories included allow a fast and easy installation

OUTPUT CONTROL Potentiometer, 50:1 turndown
REPRODUCIBILITY ±2%
MAXIMUM WORKING PRESSURE 80 psi (5.5 bar)
MAXIMUM OPERATING TEMPERATURE 104°F (40°C)
MAXIMUM SUCTION LIFT 25 ft (7.6 m) vertical lift, based on water
MOTOR TYPE 24VDC, brushless
SHAFT RPM (average maximum) 17
DUTY CYCLE Continuous

MAXIMUM VISCOSITY 50 Centipoise
MOTOR VOLTAGE
 120V 60Hz (0.25A), 230V 60Hz (0.17A), 230V 50Hz (10W)

POWER CORD TYPE
 120V 60Hz, 230V 60Hz: SJTOW, 230V 50Hz: H05RNF

POWER CORD PLUG END
 120V 60Hz: NEMA 5-15P, 230V 60Hz: NEMA 6-15P,
 230V 50Hz: CEE7/7

CLASSIFICATION Indoor & outdoor

MATERIALS OF CONSTRUCTION

All Housings Polycarbonate
Pump Tube & Check Valve Duckbill Santoprene® (FDA approved)
Pump Head Rollers Polyethylene
Suction/Discharge Tubing, Ferrules Polyethylene (FDA approved)
Tube and Injection Fittings PVC or Polypropylene (both NSF listed)
Connecting Nuts PVC or Polypropylene (both NSF listed)
Suction Line Strainer and Cap
 PVC or Polypropylene (both NSF listed); ceramic weight
All Fasteners Stainless steel

ACCESSORY KIT SHIPPED WITH EACH PUMP

- 3** Connecting nuts 1/4"
- 3** Ferrules 1/4"
- 1** Duckbill check valve
- 1** Weighted suction line strainer 1/4"
- 1** 20' Roll suction/discharge tubing 1/4" white
OR 6 mm White *Europe*
- 1** Additional pump tube
- 1** Manual

* Santoprene® is a registered trademark of Exxon Mobil Corporation.

FLOW RATE OUTPUT CHART

80 psi (5.5 bar) maximum

Item Number Prefix	Pump Tube	Roller Assembly	Turndown Ratio	Ounces per Hour	Milliliters per Hour
E10LHM	M	White	50:1	0.04 to 2.4	1.3 to 70.0
E10LHF	F	White	50:1	0.11 to 8.1	3.2 to 240.0
E10LHG	G	Black	50:1	0.50 to 25.1	14.8 to 742.3
E10LHH	H	Black	50:1	1.01 to 50.7	29.7 to 1499.4
Approximate Maximum Output @ 50/60Hz					

NOTE: Duckbill check valve included with pumps rated 80 psi (5.5 bar) maximum.

NOTICE: The information within this chart is solely intended for use as a guide. The output data is an approximation based on pumping water under a controlled testing environment. Many variables can affect the output of the pump. Stenner Pump Company recommends that all metering pumps undergo field calibration by means of analytical testing to confirm their outputs.